

⇒ 0:56^h

Siemens 60 cm built-in oven

Stainless Steel

The future moving in.

SIEMENS

Stainless Steel Built-in 60 cm Oven

SIEMENS

HB43T550A – Stainless Steel



- Stainless steel colour with bar handle
- Multi-function oven with 6 heating methods:
 - Conventional top and bottom heat
 - Bottom heat only
 - 3D hot air
 - Hot air grilling
 - Variable grilling for large surface
 - Rapid heating (manual)
- New enamel coating – ecoClean in ceiling, sides and rear wall
- Full glass inner door
- Quadruple-glazed glass door
- Retractable rotary control knobs
- 5 shelf positions
- Telescopic pan set 3-fold
- Removable door
- Manual clean function
- Mechanical control with electronic clock
- Cooling fan
- Child lock
- Integrated grill element
- Supplied accessories: 1 universal pan, 1 split grill tray, 1 baking tray, 2 wire racks

Technical information:

- 63 litre cavity volume
- 270°C max. temperature
- 1 pc circular oven lighting on top at 40 W
- 3.5 kW total connected load
- 220–240 V / 50–60 Hz / 16 Amp

Appliance dimensions: 595H x 595W x 548D mm
 Built-in dimensions: 575-597H x 560W x 550D mm
 Cavity dimensions: 323H x 420W x 423D mm

Telescopic Pan Set 3-fold

Available as a standard accessory on certain models, the pull-out telescopic pan set consists of a wire shelf and three telescopic shelf rails. Designed for use above the first shelf level, the pan set can be used for a variety of cooking options. For greater convenience, the back of every oven shelf can be accessed with ease. Thanks to an integrated safety stop, the telescopic pan set is safe-to-use, even when supporting heavy-based cookware. The telescopic pan set provides the perfect solution to ensure maximum cooking convenience.



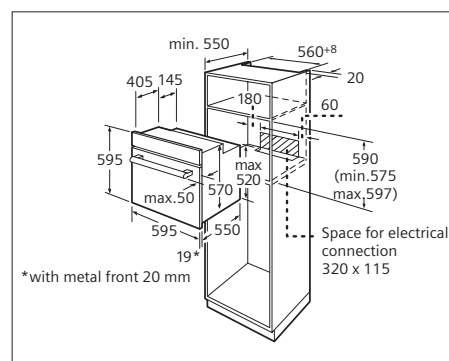
Full Glass Inner Door

A standard feature on all Siemens ecoClean single ovens, this vastly improved look to the interior door enables cooking accessories to rest safely on the flat glass door surface. The newly designed, all-glass inner door has no joints or screws – a common area that can accumulate grease. For added convenience, the door can be easily removed for cleaning, leaving your oven looking as good as new.

ecoClean

During the cooking process, grease and fat deposits are absorbed into the liners and dispersed around the microscopic ceramic spheres, which reduces cooking odours by as much as 80%. During the dedicated cleaning cycle, the oven is heated up to the cleaning temperature of 270°C, causing the release of oxygen from the spheres. This process forces every trace of grease and waste deposits on the lining to break down or oxidise, leaving the ecoClean liners completely renewed. Up to four times more effective than standard catalytic liners, the Siemens ecoClean system will provide the same excellent cleaning performance time after time.

Installation Diagram



BSH Home Appliances Pty Ltd

Customer Care After-Sales Service
 Phone: 1300 368 339 Phone: 1300 360 447
 Fax: 1300 306 818 www.siemensappliances.com.au

Whilst every care has been taken in the preparation of this publication, BSH does not warrant the accuracy or completeness of the information in this publication and BSH reserves the right to alter specifications without notice. To the extent permitted by law, BSH excludes all liability, including negligence, for any loss incurred in reliance on the contents of this publication.